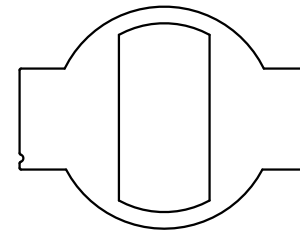
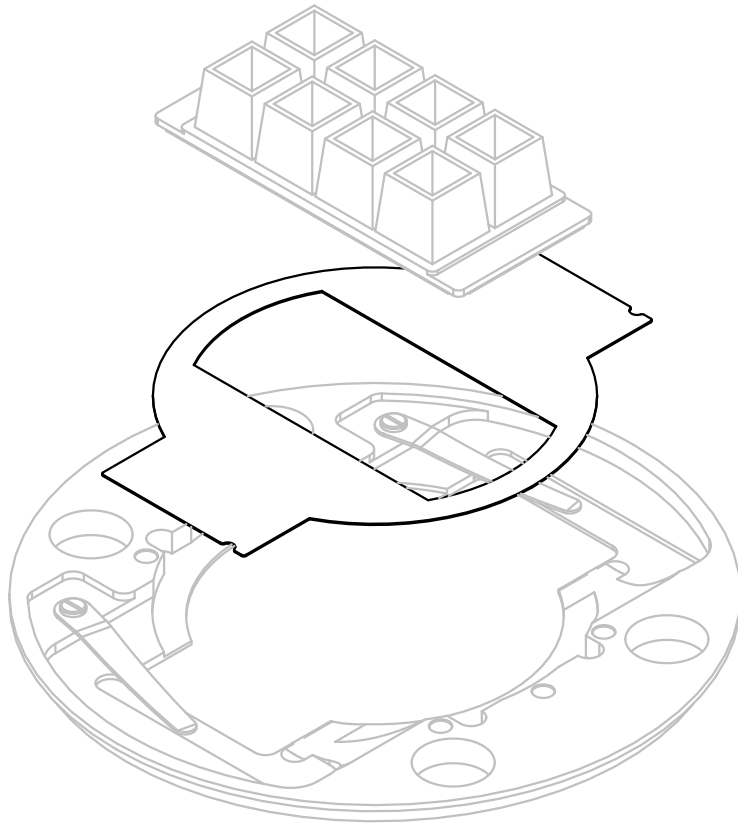
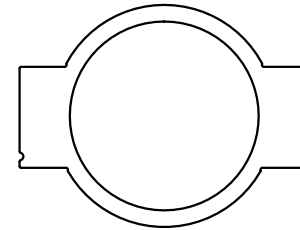


13980 Mask Set for Leica Galvo Z-Stages

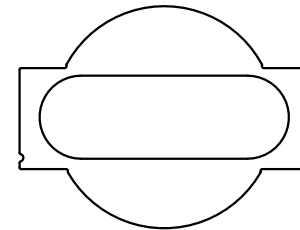
The set contains 3 mask made of 0.2mm stainless steel with black anti-reflection coating on lower surface:



13981
for LabTek Chambered
Coverglass



13982
for culture dishes
(with Leica dish adapters)



13983
for standard slide
formats