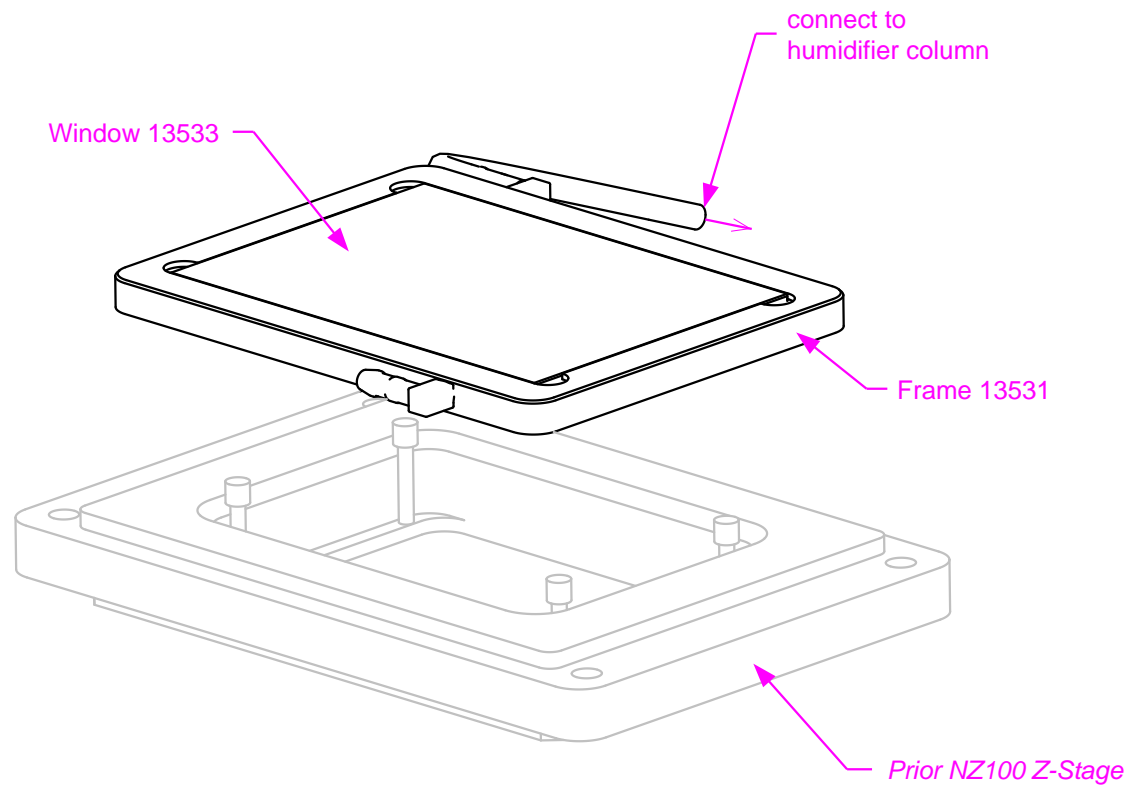


13530 : STAGE-TOP INCUBATOR FOR PRIOR NZ100



Connect the outlet of the humidifier column to one of the ports on the sides of the incubator frame using the quick connector coupling. Use as little tubing as possible, but give just enough slack so the stage can move freely. Use the port on the opposite side if re-circulation of the gas is desired or connect both ports to the humidifier column using the Y-connector for to reduce gradients in leaky setups.

Place the incubator on the stage to use it.